



*** BU 14204**
QUAD ANALOGUE INPUT INTERFACE

The BU 14204 is a monolithic integrated circuit intended to be used as analogue input (even output) interface in programmable controllers (see for example the BP 14000 series).

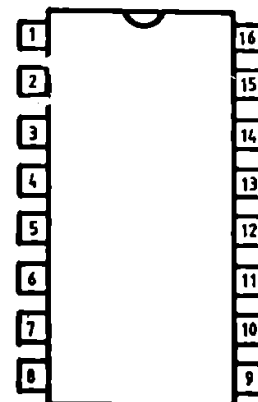
The circuit contains four identically channels which can process AC or DC input signals, performing :

- transconductance threshold comparator in two quadrants ;
- single serial external resistor, needed to appropriate the IC input signal ;
- Low-pass filter, with pin for external capacitor ;
- open-collector output ;
- 3-STATE common input to test the interfaces during operation : all the 4 channels can be forced ON or OFF simultaneously .

Features

- Supply voltage	8 ...	40 V
- Supply current	typ.	7 mA
- Output current (ON-state)	typ.	50 mA
- Output voltage (OFF-state)	max.	44 V
- Zener reference voltage	typ.	6 V
- Input threshold current	typ.	145 uA
- Input hysteresis	typ.	35 uA

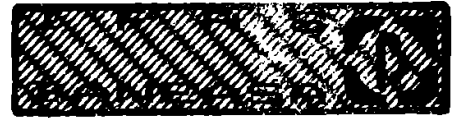
- | 1. Output 1
- | 2. GND
- | 3. Input 1
- | 4. Comp. 1
- | 5. VREF
- | 6. Comp. 2
- | 7. Output 2
- | 8. Input 2
- | 9. Output 3
- | 10. Input 3
- | 11. Comp. 3
- | 12. V+
- | 13. Comp. 4
- | 14. Input 4
- | 15. TEST input
- | 16. Output 4



PACKAGE MP-117 / TOP VIEW

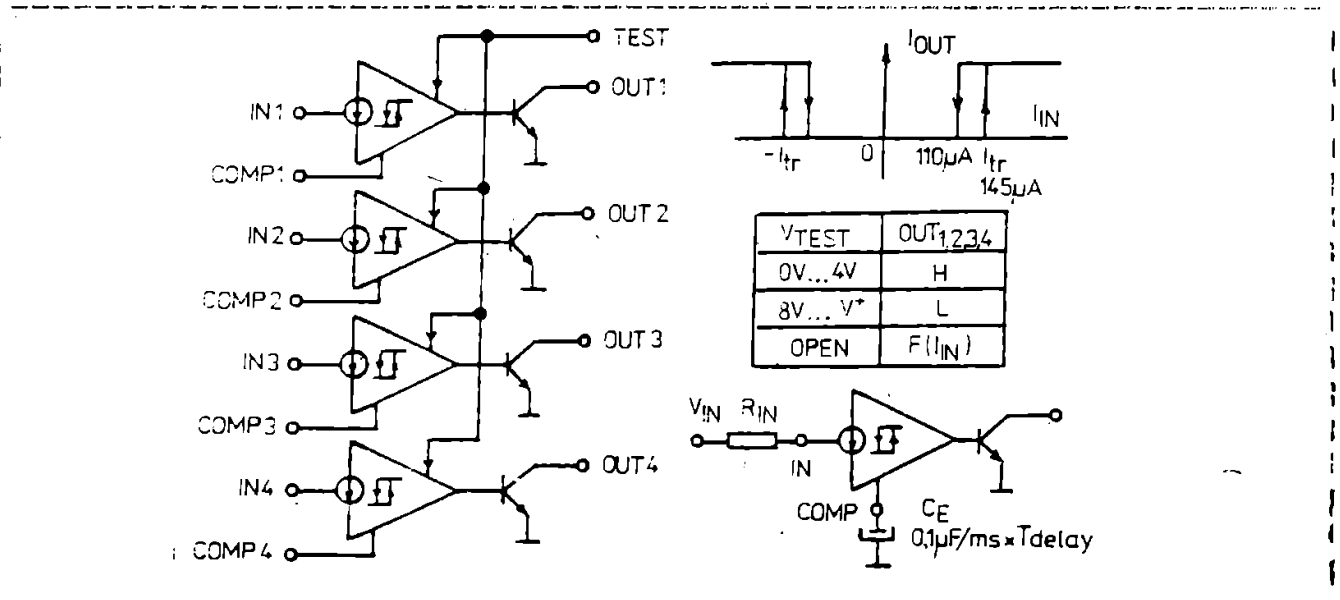
* Preliminary data

LINEAR INTEGRATED CIRCUITS - INTERFACE -



BU 14204 (cont.)

Block diagram and FUNCTION TABLE



Application

