



\$ **βU 14202**  
DUAL ANALOGUE OUTPUT INTERFACE

The βU 14202 is a monolithic integrated circuit intended to be used as analogue output interface in programmable controllers ( see for example the βP 14000 series ).

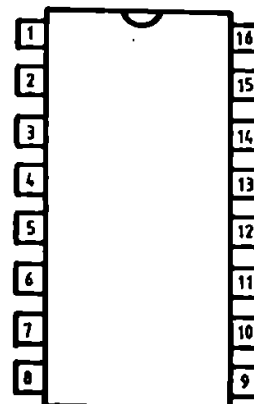
The circuit contains two identically channels which can drive AC or DC loads, performing :

- memorised commands by a status LATCH ;
- short-circuit protection, which resets the status LATCH;
- full-wave drive of triacs ;
- zero-cross voltage detector incorporated ;
- open collector Darlington output ;
- output enable pin ;
- test input for load breakdown detection ;
- open collector output ( NXOR ) for load breakdown signalling .

**Features**

- Supply voltage .....	5 ...	40 V
- Supply current .....	typ.	4 mA
- Output current ( ON-state ) .....	typ.	200 mA
- Output voltage ( OFF-state ) .....	max.	44 V

- | 1. OE input
- | 2. NXOR 1 output
- | 3. VLOAD 1 input
- | 4. SYNC 1 output
- | 5. DATA 1 input
- | 6. PROTECTION 1 input
- | 7. OUTPUT 1
- | 8. GND
- | 9. STROBE
- | 10. OUTPUT 2
- | 11. PROTECTION 2 input
- | 12. DATA 2 input
- | 13. SYNC 2 output
- | 14. VLOAD 2 input
- | 15. NXOR 2 output
- | 16. V+

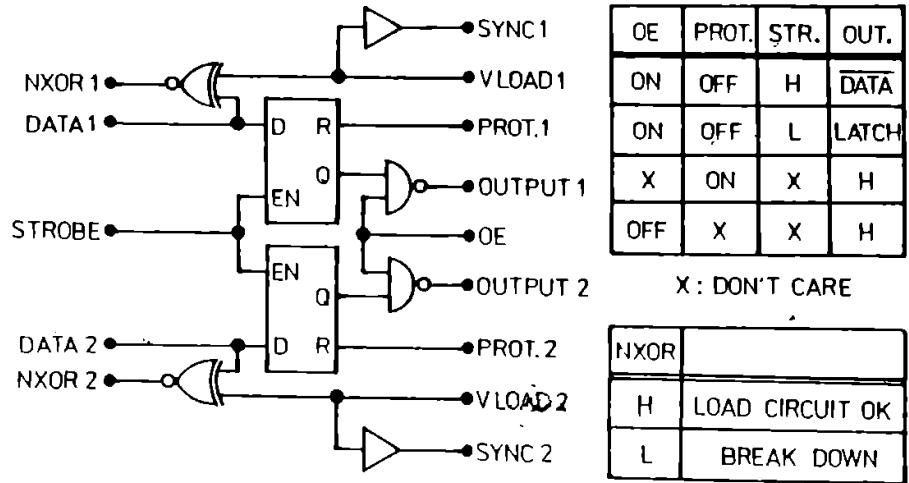


PACKAGE MP-117 / TOP VIEW

-----  
\$ Preliminary data  
-----

βU 14202 ( cont. )

Block diagram and FUNCTION TABLE



Applications

